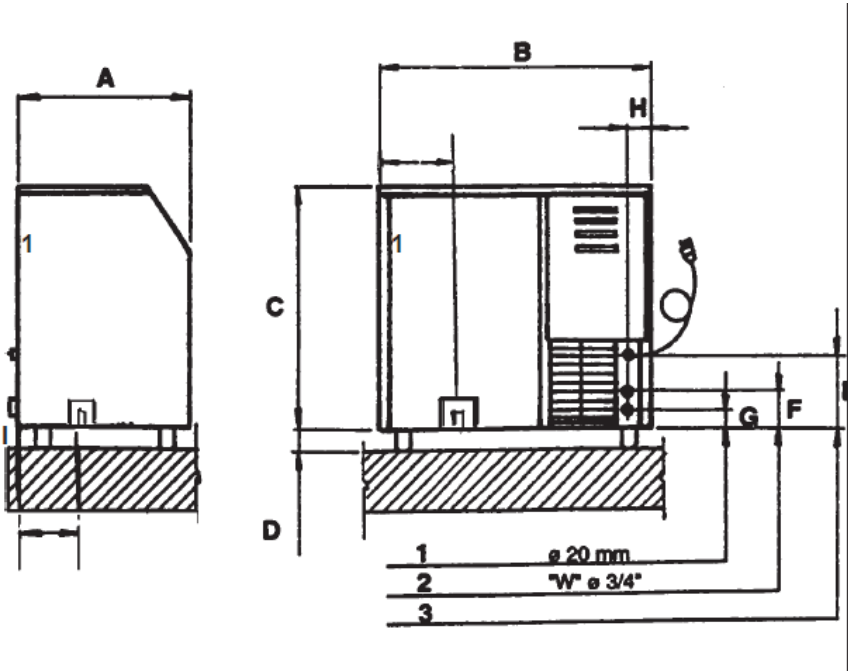


Simag SPR120 - 120kg production 60kg storage



SPECIFICATION



DIMENSIONS

Width 920 mm
 Depth 590 mm
 Height 785 / 915 mm with legs

PLUMBING CONNECTIONS

(E) 10 amp 1 metre power lead 285 mm
 (G) 20mm Water Outlet Gravity 58 mm
 (F) 3/4" Water Inlet 70 mm