

# R300

406 kg Storage bin

**icemachinesdirect**  
EUROPEAN MACHINES LOWEST PRICES GUARANTEED



Other models in this range: R 100 - R 130 - R 150 - R 190 - R 250 - R 400

## Technical Features

- Convenient & hygienic internal ice scoop holder.
- Exterior panels in durable stainless steel.
- Polyurethane Insulation.
- High density, non-corroding Polyethylene bin liner, is designed with easy-to-clean rounded corners, and resists scratches and scuffs from ice scoops.
- Robust door frame will resist operational abuse.
- Rounded door-lip profile allows an easy reach for enhanced ease of operation.
- Fully removable door gasket seals door opening to reduce ice melt, easily disassembled for manual cleaning.
- Internal ice deflector enhances ice distribution to maximize bin storage capacity.
- Load resistant, stainless steel adjustable legs.
- Bin Caster available on request for selected models.
- Storage bin base drain tube conveniently rotates at 360° radius to allow ease-of-connection with any floor water drain position.

## Bin Capacity

kg 406

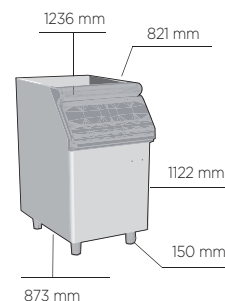
## Warranty

**2** years warranty on components

## Technology and Certifications



Certified ISO 9001:2008  
TOTAL QUALITY



MILANO OFFICE  
Sales Dept.  
Tel. +39 02 93900215  
e-mail: sales@simag.it  
Service Dept.  
Tel. +39 02 93960357  
e-mail: service@simag.it

SIMAG FAR EAST  
Singapore Office  
Tel. ++65 6738 5393  
e-mail: scotsman@scotsman.com.sg

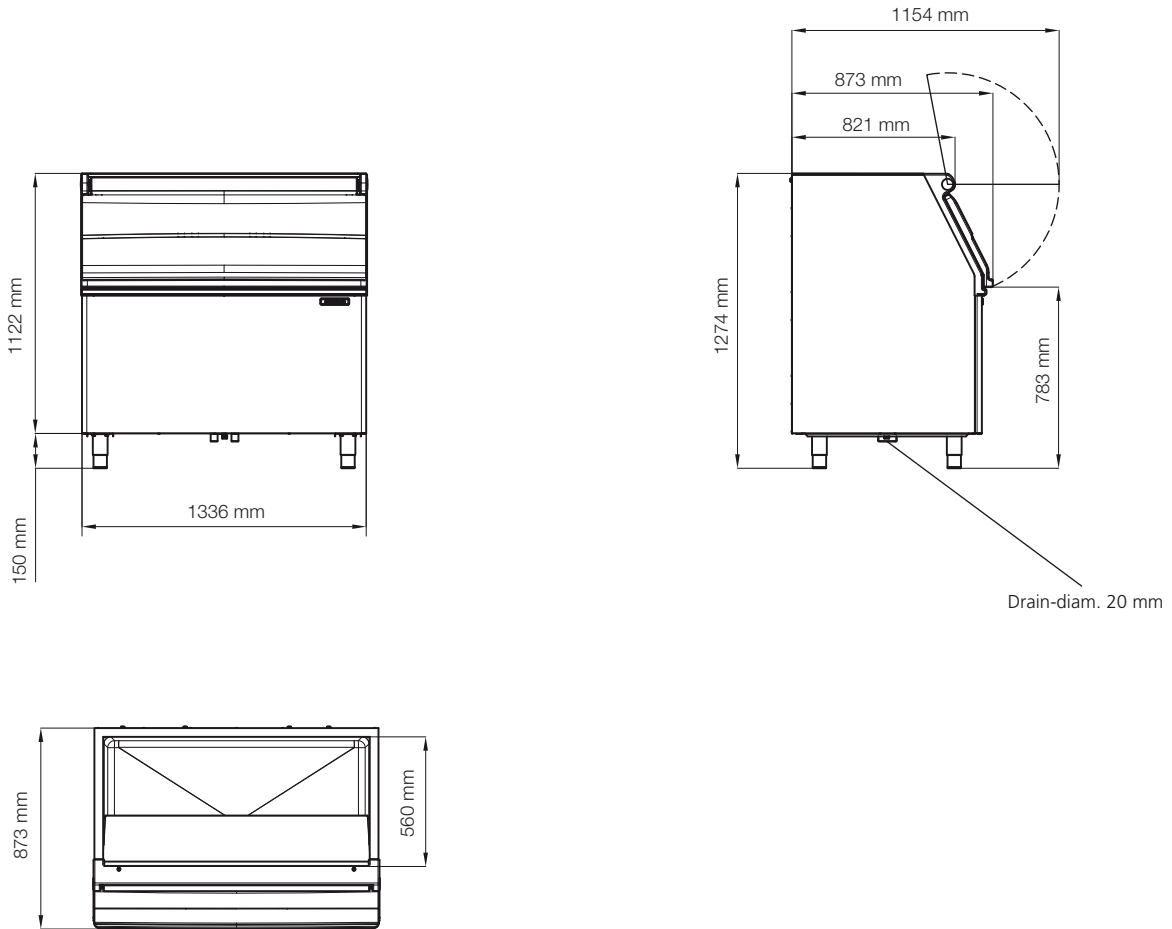
# R300

406 kg Storage bin

**icemachinesdirect**  
EUROPEAN MACHINES LOWEST PRICES GUARANTEED



Other models in this range: R 100 - R 130 - R 150 - R 190 - R 250 - R 400



Specifications and design are subject to change without notice

	Net Weight kg	Shipping Weight kg
R 300	73	97